

HILTI

TE 3000-AVR

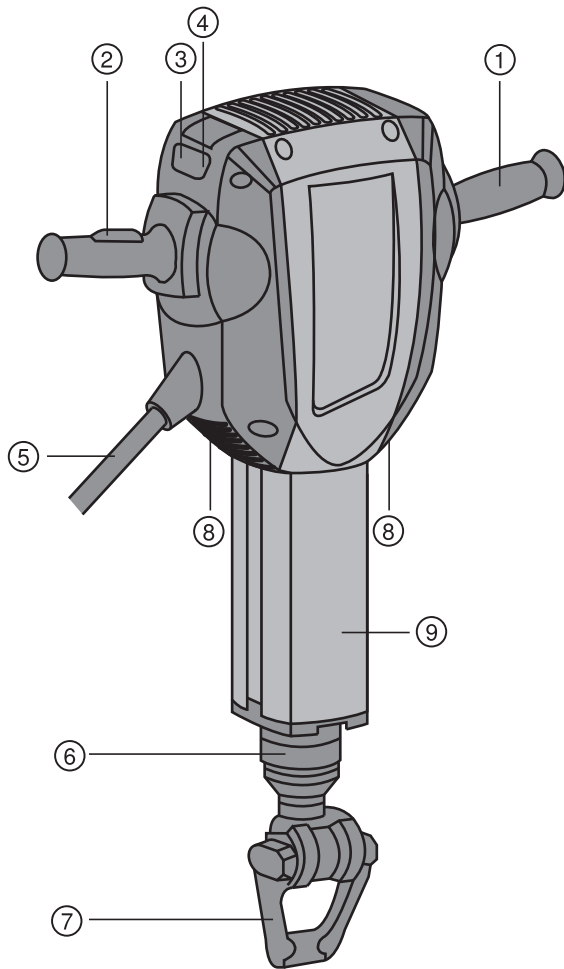
Operating instructions [en](#)

Mode d'emploi [fr](#)

Manual de instrucciones [es](#)

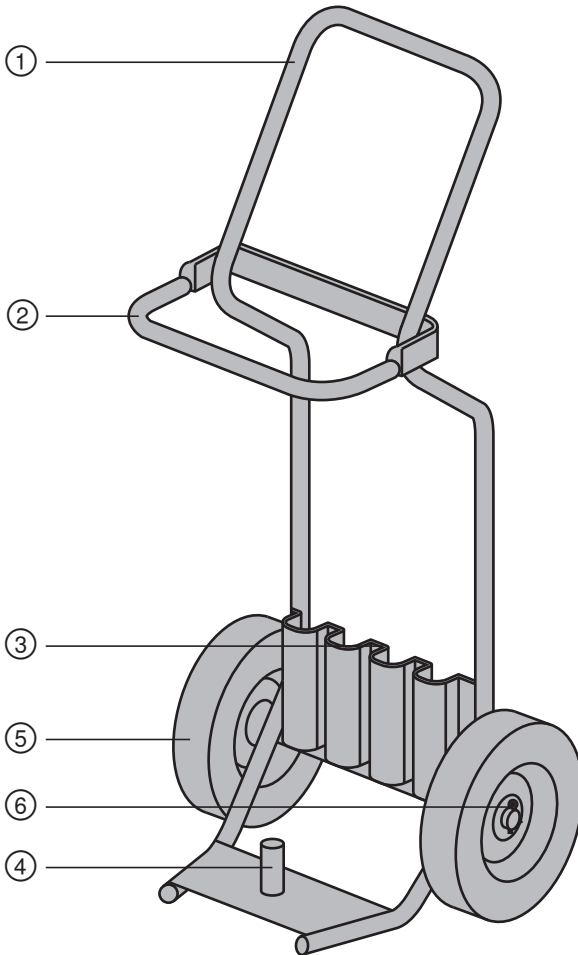
Manual de instruções [pt](#)

1

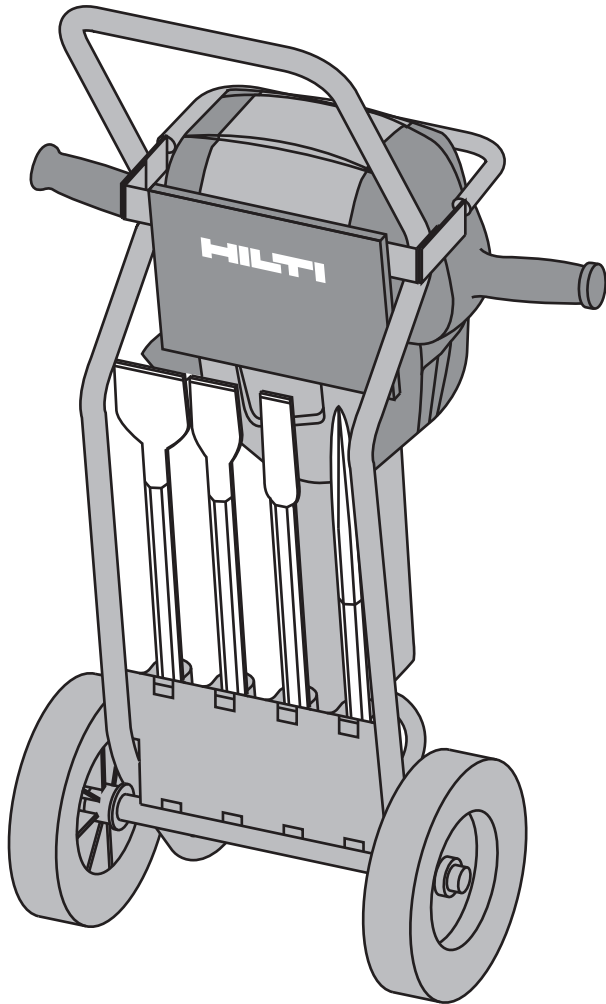


This Product is Certified
 Ce produit est certifié
 Este producto esta certificado
 Este producto está certificado

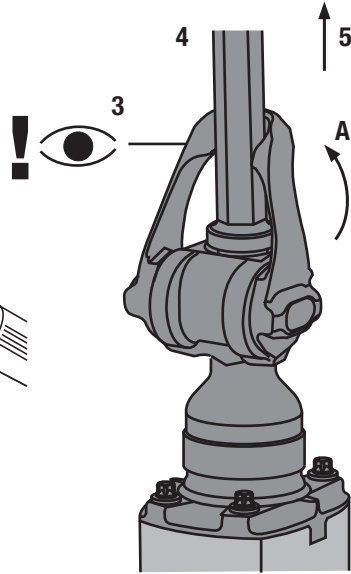
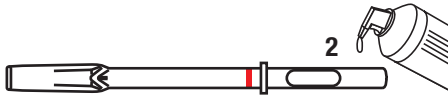
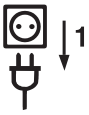
2



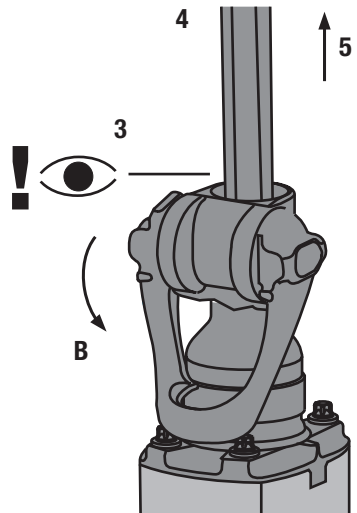
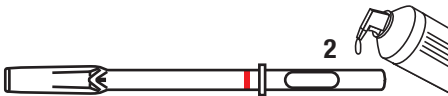
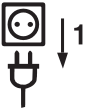
3



4



5



TE-H28P SM			400 mm
TE-H28P FM			400 mm
TE-H28P SPM		80/400 mm	
		80/500 mm	
TE-H28P SPMA			125/450 mm
TE-H28P SPI			500 mm
TE-H28			400 mm
TE STP	150 x 150 mm	200 x 200 mm	

ORIGINAL OPERATING INSTRUCTIONS

TE 3000-AVR Breaker

en

It is essential that the operating instructions are read before the power tool is operated for the first time.

Always keep these operating instructions together with the power tool.

Ensure that the operating instructions are with the power tool when it is given to other persons.

Contents	Page
1. General information	1
2. Description	2
3. Accessories, consumables	4
4. Technical data	5
5. Safety instructions	5
6. Before use	8
7. Operation	9
8. Care and maintenance	10
9. Troubleshooting	11
10. Disposal	12
11. Manufacturer's warranty - tools	12

1 These numbers refer to the corresponding illustrations. The illustrations can be found on the fold-out cover pages. Keep these pages open while studying the operating instructions.

In these operating instructions, the designation "the power tool" always refers to the TE 3000-AVR breaker.

Parts, operating controls and indicators 1

- ① Grip
- ② On / off switch
- ③ Service indicator
- ④ Theft protection indicator (option)
- ⑤ Supply cord
- ⑥ Chuck
- ⑦ Insert tool retainer / locking bar
- ⑧ Ventilation slots
- ⑨ Guide tube

Transport trolley components 2

- ① Grip
- ② Retaining bar
- ③ Holder for chisels and accessories
- ④ Power tool locating pin
- ⑤ Wheels
- ⑥ Wheel securing parts (washer, retaining pin)

1. General information**1.1 Safety notices and their meaning****DANGER**

Draws attention to imminent danger that could lead to serious bodily injury or fatality.

WARNING

Draws attention to a potentially dangerous situation that could lead to serious personal injury or fatality.

CAUTION

Draws attention to a potentially dangerous situation that could lead to slight personal injury or damage to the equipment or other property.

NOTE

Draws attention to an instruction or other useful information.

1.2 Explanation of the pictograms and other information**Prohibition signs**

Transport by crane is not permissible.

Warning signs

General warning



Warning: electricity



Warning: hot surface

en

Obligation signs



Wear eye protection



Wear a hard hat



Wear ear protection



Wear protective gloves



Wear safety shoes



Wear breathing protection

Symbols



Read the operating instructions before use



Return waste material for recycling.



Volts



Amps



Alternating current



Hertz



Lock symbol



Equipped with theft protection system

Location of identification data on the power tool

The type designation and serial number can be found on the type identification plate on the machine or tool. Make a note of this data in your operating instructions and always refer to it when making an enquiry to your Hilti representative or service department.

Type: _____

Generation: 02 _____

Serial no.: _____

2. Description

2.1 Use of the product as directed

The power tool is a hand-guided electric tool for chiseling on concrete, masonry and asphalt. Other applications are compacting and excavation (e.g. in soil).

Working on materials hazardous to the health (e.g. asbestos) is not permissible.

The power tool is designed for professional use and may be operated, serviced and maintained only by trained, authorized personnel. This personnel must be informed of any special hazards that may be encountered. The power tool and its ancillary equipment may present hazards when used incorrectly by untrained personnel or when used not as directed.

Its typical working environment is construction sites of all kinds and it may be used for construction work, finishing, renovation, demolition and road work.

The power tool may be used only in a dry environment.

Do not use the power tool where there is a risk of fire or explosion.

The power tool may be operated only when connected to a power supply providing a voltage and frequency in compliance with the information given on its type identification plate.

To avoid the risk of injury, use only genuine Hilti accessories and insert tools.

Observe the information printed in the operating instructions concerning operation, care and maintenance.

Modification of the power tool or tampering with its parts is not permissible.



2.2 Chuck

28 mm hex. chuck

2.3 Switch

On / off switch

en

2.4 Grips

Grips incorporating AVR Active Vibration Reduction

2.5 Lubrication

Permanent lubrication with separate lubrication chambers for the gearing and hammering mechanism.

2.6 Theft protection system (optional)

The power tool may be equipped with the TPS Theft Protection System as an option. If the power tool is equipped with this feature, it can be unlocked and made ready for operation only through use of the corresponding TPS key.

2.7 Protective features

Protection from high temperatures is provided by the casing around inner parts of the power tool.

2.8 Indicator LED

Service indicator LED (see section "Care and maintenance")
Theft protection system indicator (optional) (see section "Operation")

2.9 Protection against overheating

The power tool is equipped with a protective overheating cut-out that switches the power off for a short time. Overheating is indicated by an LED blinking.

2.10 Items supplied as standard

- 1 Power tool
- 1 Operating instructions with pocket for attachment to the transport trolley
- 1 Transport trolley (optional)
- 1 Grease

2.11 Using extension cords

Use only extension cords of a type approved for the application and with conductors of adequate cross section. The power tool may otherwise lose performance and the extension cord may overheat. Check the extension cord for damage at regular intervals. Replace damaged extension cords.

Recommended minimum conductor cross section and max. cable lengths

Conductor cross section	AWG12	AWG10
Mains voltage 110-120 V	75 ft	125 ft

Do not use extension cords with 16 AWG conductor cross section.



2.12 Using extension cords outdoors

When working outdoors, use only extension cords that are approved and correspondingly marked for this application.

en

2.13 Using a generator or transformer

This power tool may be powered by a generator or transformer when the following conditions are fulfilled: The unit must provide a power output in watts of at least twice the value printed on the type identification plate on the power tool. The operating voltage must remain within +5% and -15% of the rated voltage at all times, frequency must be in the 50 – 60 Hz range and never above 65 Hz, and the unit must be equipped with automatic voltage regulation and starting boost. Generators with an inadequate power rating may cause damage to the power tool.

Never operate other power tools or appliances from the generator or transformer at the same time. Switching other power tools or appliances on and off may cause undervoltage and / or overvoltage peaks, resulting in damage to the power tool.

In addition, the power tool may not start or may cut out (no LED indication) if the electric supply is not within specifications (see "Troubleshooting" section).

3. Accessories, consumables

TPS Theft Protection System with Company Card,
Company Remote and TPS-K key (optional)

Use the Hilti chisels or other tools listed below. With these you will achieve higher performance and longer lifetime as the power tool and chisels have been optimized as a system.

	Designation	Width (mm)	Length (mm)	Width in inches	Length in inches
Pointed chisels	TE-H28P SM 40		400		16
	TE-H28P SM 50		500		20
Flat chisels	TE-H28P FM 40	38	400	1½	16
	TE-H28P FM 50	38	500	1½	20
Wide-flat chisels	TE-H28P SPM 8/40	80	400	3¼	16
	TE-H28P SPM 8/50	80	500	3¼	20
Asphalt chisel	TE-H28P SPMA 45	125	450	5	18
Pointed flat chisel	TE-H28P SPI 50	115	500	4½	20
Shank	TE-H28 SS 40		400		16
Tamping plate	TE STP 150x150	150x150		6x6	
	TE STP 200x200	200x200		8x8	

4. Technical data

Right of technical changes reserved.

Rated voltage	120 V
Rated current input	15 A
Power tool	TE 3000-AVR
Mains frequency	60 Hz
Weight of power tool	29.9 kg (65.92 lb)
Dimensions (L x W x H)	808 mm (31.81") x 610 mm (24.02") x 209 mm (8.23")
Hammering frequency under load	860/min
Single impact energy	68 J
Weight of transport trolley	10.8 kg (23.81 lb)

en

5. Safety instructions

NOTE

The safety rules in section 5.1 contain all general safety rules for power tools which, in accordance with the applicable standards, require to be listed in the operating instructions. Accordingly, some of the rules listed may not be relevant to this tool.

5.1 General Power Tool Safety Warnings

- a) **WARNING! Read all safety warnings and instructions.** Failure to follow the warnings and instructions may result in electric shock, fire and/or serious injury. **Save all warnings and instructions for future reference.** The term "power tool" in the warnings refers to your mains-operated (corded) power tool or battery-operated (cordless) power tool.

5.1.1 Work area safety

- a) **Keep work area clean and well lit.** Cluttered or dark areas invite accidents.
- b) **Do not operate power tools in explosive atmospheres, such as in the presence of flammable liquids, gases or dust.** Power tools create sparks which may ignite the dust or fumes.
- c) **Keep children and bystanders away while operating a power tool.** Distractions can cause you to lose control.

5.1.2 Electrical safety

- a) **Power tool plugs must match the outlet. Never modify the plug in any way. Do not use any adapter plugs with earthed (grounded) power tools.** Unmodified plugs and matching outlets will reduce risk of electric shock.
- b) **Avoid body contact with earthed or grounded surfaces, such as pipes, radiators, ranges and refrigerators.** There is an increased risk of electric shock if your body is earthed or grounded.
- c) **Do not expose power tools to rain or wet conditions.** Water entering a power tool will increase the risk of electric shock.
- d) **Do not abuse the cord. Never use the cord for carrying, pulling or unplugging the power tool. Keep cord away from heat, oil, sharp edges or moving parts.** Damaged or entangled cords increase the risk of electric shock.
- e) **When operating a power tool outdoors, use an extension cord suitable for outdoor use.** Use of a cord suitable for outdoor use reduces the risk of electric shock.
- f) **If operating a power tool in a damp location is unavoidable, use a residual current device (RCD) protected supply.** Use of an RCD reduces the risk of electric shock.

en

5.1.3 Personal safety

- a) **Stay alert, watch what you are doing and use common sense when operating a power tool. Do not use a power tool while you are tired or under the influence of drugs, alcohol or medication.** A moment of inattention while operating power tools may result in serious personal injury.
- b) **Use personal protective equipment. Always wear eye protection.** Protective equipment such as dust mask, non-skid safety shoes, hard hat, or hearing protection used for appropriate conditions will reduce personal injuries.
- c) **Prevent unintentional starting. Ensure the switch is in the off-position before connecting to power source and/or battery pack, picking up or carrying the tool.** Carrying power tools with your finger on the switch or energising power tools that have the switch on invites accidents.
- d) **Remove any adjusting key or wrench before turning the power tool on.** A wrench or a key left attached to a rotating part of the power tool may result in personal injury.
- e) **Do not overreach. Keep proper footing and balance at all times.** This enables better control of the power tool in unexpected situations.
- f) **Dress properly. Do not wear loose clothing or jewellery. Keep your hair, clothing and gloves away from moving parts.** Loose clothes, jewellery or long hair can be caught in moving parts.
- g) **If devices are provided for the connection of dust extraction and collection facilities, ensure these are connected and properly used.** Use of dust collection can reduce dust-related hazards.

5.1.4 Power tool use and care

- a) **Do not force the power tool. Use the correct power tool for your application.** The correct power tool will do the job better and safer at the rate for which it was designed.
- b) **Do not use the power tool if the switch does not turn it on and off.** Any power tool that cannot be controlled with the switch is dangerous and must be repaired.
- c) **Disconnect the plug from the power source and/or the battery pack from the power tool before making any adjustments, changing accessories, or storing power tools.** Such preventive safety measures reduce the risk of starting the power tool accidentally.
- d) **Store idle power tools out of the reach of children and do not allow persons unfamiliar with the**

power tool or these instructions to operate the power tool. Power tools are dangerous in the hands of untrained users.

- e) **Maintain power tools. Check for misalignment or binding of moving parts, breakage of parts and any other condition that may affect the power tool's operation. If damaged, have the power tool repaired before use.** Many accidents are caused by poorly maintained power tools.
- f) **Keep cutting tools sharp and clean.** Properly maintained cutting tools with sharp cutting edges are less likely to bind and are easier to control.
- g) **Use the power tool, accessories and tool bits etc. in accordance with these instructions taking into account the working conditions and the work to be performed.** Use of the power tool for operations different from those intended could result in a hazardous situation.

5.1.5 Service

- a) **Have your power tool serviced by a qualified repair person using only identical replacement parts.** This will ensure that the safety of the power tool is maintained.

5.2 Additional safety instructions

5.2.1 Safety instructions for breakers

- a) **Wear ear protectors.** Exposure to noise can cause hearing loss.
- b) **Use auxiliary handle(s), if supplied with the tool.** Loss of control can cause personal injury.
- c) **Hold power tools by insulated gripping surfaces, when performing an operation where the cutting tool may contact hidden wiring or its own cord.** Cutting accessory contacting a "live" wire may make exposed metal parts of the power tool "live" and could give the operator an electric shock.

5.2.2 Personal safety

- a) **Always hold the power tool securely with both hands on the grips provided. Keep the grips dry, clean and free from oil and grease.**
- b) **If the insulation on the grips or parts of the casing is damaged, the parts must be replaced before operating the power tool.**
- c) **Breathing protection must be worn and allergy sufferers must wear clothing that covers the skin if the work creates dust.**

- d) **Improve the blood circulation in your fingers by relaxing your hands and exercising your fingers during breaks between working.**
- e) **Always lead the supply cord and extension cord away from the power tool to the rear while working.** This helps to avoid tripping over the cord while working.
- f) **Children must be instructed not to play with the appliance.**
- g) **The appliance is not intended for use by children, by debilitated persons or those who have received no instruction or training.**
- h) **WARNING: Some dust created by grinding, sanding, cutting and drilling contains chemicals known to cause cancer, birth defects, infertility or other reproductive harm; or serious and permanent respiratory or other injury.** Some examples of these chemicals are: lead from lead-based paints, crystalline silica from bricks, concrete and other masonry products and natural stone, arsenic and chromium from chemically-treated lumber. Your risk from these exposures varies, depending on how often you do this type of work. **To reduce exposure to these chemicals, the operator and bystanders should work in a well-ventilated area, work with approved safety equipment, such as respiratory protection appropriate for the type of dust generated, and designed to filter out microscopic particles and direct dust away from the face and body. Avoid prolonged contact with dust. Wear protective clothing and wash exposed areas with soap and water.** Allowing dust to get into your mouth, eyes, or to remain on your skin may promote absorption of harmful chemicals.

5.2.3 Power tool use and care

- a) **Check that the insert tools used are compatible with the chuck system and that they are secured in the chuck correctly.**
- b) **In case of an interruption in the electric supply: Switch the power tool off and unplug the supply cord.** This will prevent accidental restarting when the electric power returns.
- c) **Always work from a secure, safe stance.**

5.2.4 Electrical safety



- a) **Before beginning work, check the working area (e.g. using a metal detector) to ensure that no concealed electric cables or gas and water pipes are present.** External metal parts of the power tool may become live, for example, when an electric cable is damaged accidentally. This presents a serious risk of electric shock.
- b) **Check the power tool's supply cord at regular intervals and have it replaced by a qualified specialist if found to be damaged. If the power tool's supply cord is damaged it must be replaced with a specially-prepared supply cord available from Hilti Customer Service. Check extension cords at regular intervals and replace them if found to be damaged. Do not touch the supply cord or extension cord if it is damaged while working. Disconnect the supply cord plug from the power outlet.** Damaged supply cords or extension cords present a risk of electric shock.
- c) **Dirty or dusty power tools which have been used frequently for work on conductive materials should be checked at regular intervals at a Hilti Service Center.** Under unfavorable circumstances, dampness or dust adhering to the surface of the power tool, especially dust from conductive materials, may present a risk of electric shock.
- d) **When working outdoors with an electric tool check to ensure that the tool is connected to the electric supply by way of a ground fault circuit interrupter (GFCI) with a rating of max. 30 mA (tripping current).** Use of a ground fault circuit interrupter reduces the risk of electric shock.
- e) **Use of a ground fault circuit interrupter (GFCI) with a maximum tripping current of 30 mA is recommended.**

5.2.5 Work area

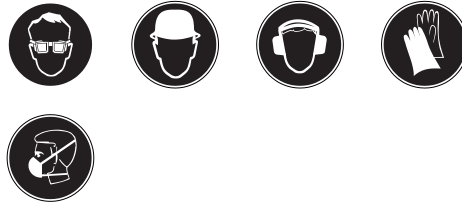
- a) **Ensure that the workplace is well lit.**

en

en

- b) **Ensure that the workplace is well ventilated.**
Exposure to dust at a poorly ventilated workplace may result in damage to the health.
- c) **If the work involves breaking right through, take the appropriate safety measures at the opposite side.** Parts breaking away could fall out and / or fall down and injure other persons.
- d) **Be sure to keep an adequate distance from other persons and adjacent objects. If necessary, cordon off the area in which you are working.**

5.2.6 Personal protective equipment



The user and any other persons in the vicinity must wear ANSI Z87.1-approved eye protection, a hard hat, ear protection, protective gloves and breathing protection while the machine is in use.

6. Before use



CAUTION

The power tool must be disconnected from the electric supply.

CAUTION

Check the insert tool for damage each time before use.

6.1 Unlocking the power tool (theft protection system)

NOTE

See section "Using the TPS Theft Protection System".

6.2 Use of extension cords and generators or transformers

Please refer to section 2 "Description".

6.3 Transport

CAUTION

Use the transport trolley or other means of conveyance whenever possible. The power tool should always be carried by two persons if no transport trolley or means of conveyance is available for use. Be aware that the power tool plus transport trolley present a considerable weight.

CAUTION

Do not park the transport trolley on an incline.

CAUTION

Take care to use only safe transport routes.

CAUTION

Take care to ensure that the trolley stands in a steady, secure position.

6.4 Securing the power tool and chisels on the transport trolley **3**

Place the power tool on the locating pin provided on the transport trolley and always secure it for transport by closing the retaining bar.

Put the chisels in the holder provided, pushing them in as far as they will go until held securely.

7. Operation



DANGER

Always hold the power tool securely with both hands on the grips provided. Keep the grips dry, clean and free from oil and grease.

7.1 Preparing for use

CAUTION

Wear protective gloves when changing insert tools as the insert tools get hot through use and they may have sharp edges.

CAUTION

When changing insert tools, take care to handle the locking mechanism correctly. You may otherwise risk pinching your fingers.

CAUTION

Avoid body contact with the guide tube as this part gets hot through use of the power tool.

7.1.1 Fitting the insert tool 4 5

NOTE

Use an insert tool of a length suitable for your body height.

1. Disconnect the mains plug from the power outlet.
2. Check that the connection end of the chisel is clean and lightly greased. Clean it and grease it if necessary.
3. Check that the chuck and locking bar are clean and undamaged.
4. Push the insert tool into the chuck and pivot the retaining bar to locking position A for insert tools with a collar or to locking position B for insert tools with a groove (position the chisel so that the groove is facing locking position B).
NOTE Insert tools with a combined connection end (with collar and groove) can be locked in position A or B, as desired.
5. Check that the chisel has engaged correctly by pulling it.

7.1.2 Removing the chisel

DANGER

Do not lay a hot insert tool down on flammable materials. This could cause the material to ignite, resulting in a fire.

en

1. Disconnect the mains plug from the power outlet.
2. Open the locking bar by pivoting it approx. 90°.
3. Pull the chisel out of the chuck.

7.2 Operation



CAUTION

Working on the material may cause it to splinter. Wear eye protection and protective gloves. Wear breathing protection if no dust removal system is used. Splintering material presents a risk of injury to the eyes and body.

CAUTION

The work generates noise. Wear ear protectors. Exposure to noise can cause hearing loss.

CAUTION

Take care to stand in a secure position, especially when chiseling breaches in floors, walls or ceilings, and wear protective gloves and safety footwear. The power tool may pull you off balance if you break through suddenly.

CAUTION

Improve the blood circulation in your fingers by relaxing your hands and exercising your fingers during breaks between working.

CAUTION

Take care to ensure that the locking bar is in the correct position in accordance with the information provided in the operating instructions and check that the insert tool is held securely (check by pulling the insert tool). Secure the area below the working area.

en

CAUTION

Remove the insert tool before laying the power tool down or placing it on the transport trolley. Disconnect the mains plug from the power outlet. Unintentional starting (accidental contact with the on / off switch) may cause the power tool to kick.

7.2.1 TPS Theft Protection System (optional)**NOTE**

The power tool may be equipped with the optional theft protection system. If the power tool is equipped with this feature, it can be unlocked and made ready for operation only through use of the corresponding TPS key.

7.2.1.1 Unlocking the power tool

1. Plug the supply cord into the power outlet. The yellow theft protection indicator LED blinks. The power tool is now ready to receive the signal from the TPS key.
2. Hold the TPS key or the TPS watch strap buckle against the lock symbol. The power tool is unlocked as soon as the yellow theft protection indicator LED no longer lights.

NOTE If, for example, the electric supply is briefly interrupted due to a power failure or disconnected when moving to a different workplace, the power tool remains ready for operation for approx. 20 minutes. In the event of a longer interruption, the TPS key must be used again to unlock the power tool.

7.2.1.2 Activation of the theft protection system for the power tool**NOTE**

Further detailed information on activation and use of the theft protection system can be found in the operating instructions for the theft protection system.

7.2.2 Chiseling**NOTE**

Working at low temperatures: The hammering mechanism works only when the power tool has reached a minimum operating temperature. Bring the chisel into contact with the base material and allow the power tool to run under no load until the minimum operating temperature is reached. If necessary, repeat this procedure until the hammering mechanism begins to operate.

7.2.2.1 Chiseling

1. Plug the mains plug of the supply cord into the power outlet.
2. Position the tip of the chisel at the point where chiseling is to begin.
3. Press the on / off switch fully.

7.2.2.2 Switching off

Release the on / off switch.

8. Care and maintenance**CAUTION**

Disconnect the mains plug from the power outlet.

CAUTION

The power tool must always be checked by a Hilti specialist for internal or external damage whenever it has been dropped or fallen over.

8.1 Care of insert tools

Clean off dirt and dust deposits adhering to the insert tools and protect them from corrosion by wiping the insert tools from time to time with an oil-soaked rag.

8.2 Care of the power tool

The outer casing of the power tool is made from impact-resistant plastic. Sections of the grip are made from a synthetic rubber material.

Never operate the power tool when the ventilation slots are blocked. Clean the ventilation slots carefully using a dry brush. Do not permit foreign objects to enter the interior of the power tool. Clean the outside of the power tool at regular intervals with a slightly damp cloth. Do not use a spray, steam pressure cleaning equipment or running water for cleaning. This may negatively affect the electrical safety of the power tool. Always keep the grip surfaces of the power tool free from oil and grease. Do not use cleaning agents which contain silicone.



8.3 Service indicator

NOTE

The power tool is equipped with a service indicator.

Indicator	Constant red light	End of service interval - servicing is due. After the lamp lights for the first time, the power tool may continue to be used for several hours before the automatic cut-out is activated. To ensure that the power tool is always ready for use, it should be returned to Hilti for servicing in good time.
-----------	--------------------	---

en

8.4 Maintenance

WARNING

Repairs to the electrical section of the power tool may be carried out only by trained electrical specialists.

Check all external parts of the power tool for damage at regular intervals and check that all controls operate faultlessly. Do not operate the power tool if parts

are damaged or when the controls do not function faultlessly. If necessary, the power tool should be repaired by Hilti Service.

8.5 Checking the power tool after care and maintenance

After carrying out care and maintenance work on the power tool, check that all protective and safety devices are fitted and that they function faultlessly.

9. Troubleshooting

Fault	Possible cause	Remedy
The power tool doesn't start.	Electronics initialization in progress (takes up to 4 seconds after plugging in).	Switch the power tool off and on again.
	Interruption in the electric supply.	Plug in another electric appliance and check whether it works.
	The supply cord or plug is defective.	Have it checked by a trained electrical specialist and replaced if necessary.
	Generator with sleep mode.	Apply a load to the generator by connecting another appliance (e.g. a lamp). Subsequently switch the power tool off and on again.
No hammering action.	The power tool is too cold.	Allow the power tool to warm up to the minimum operating temperature. See section: 7.2.2 Chiseling
	A fault has occurred in the power tool.	If necessary, the power tool should be repaired by Hilti Service.
The power tool doesn't start or cuts out during operation and the LED blinks red.	Temporary fault (e.g. overheating or overvoltage).	Release the switch and allow the power tool to cool down or connect it to a different electric supply.
The power tool doesn't start or cuts out during operation and the LED lights red constantly.	Advance warning of need for servicing.	Have the power tool serviced or repaired by Hilti Service.



en

Fault	Possible cause	Remedy
The power tool doesn't start and the indicator lamp blinks yellow.	The power tool has not been unlocked (power tools with optional theft protection system).	Use the TPS key to unlock the power tool.
The power tool doesn't start or cuts out during operation.	The extension cord is too long or its gauge is inadequate.	Use an extension cord of an approved length and / or of adequate gauge.

NOTE

If the fault cannot be eliminated by the measures listed above, have the power tool checked by Hilti Service.

10. Disposal



Most of the materials from which Hilti power tools or appliances are manufactured can be recycled. The materials must be correctly separated before they can be recycled. In many countries, Hilti has already made arrangements for taking back your old power tools or appliances for recycling. Please ask your Hilti customer service department or Hilti representative for further information.

11. Manufacturer's warranty - tools

Hilti warrants that the tool supplied is free of defects in material and workmanship. This warranty is valid so long as the tool is operated and handled correctly, cleaned and serviced properly and in accordance with the Hilti Operating Instructions, and the technical system is maintained. This means that only original Hilti consumables, components and spare parts may be used in the tool.

This warranty provides the free-of-charge repair or replacement of defective parts only over the entire lifespan of the tool. Parts requiring repair or replacement as a result of normal wear and tear are not covered by this warranty.

Additional claims are excluded, unless stringent national rules prohibit such exclusion. In particular, Hilti is not obligated for direct, indirect, incidental or consequential damages, losses or expenses in connection with, or by reason of, the use of, or inability to use the tool for any purpose. Implied warranties of merchantability or fitness for a particular purpose are specifically excluded.

For repair or replacement, send the tool or related parts immediately upon discovery of the defect to the address of the local Hilti marketing organization provided.

This constitutes Hilti's entire obligation with regard to warranty and supersedes all prior or contemporaneous comments and oral or written agreements concerning warranties.

HILTI

Hilti Corporation

LI-9494 Schaan

Tel.: +423 / 234 21 11

Fax: +423 / 234 29 65

www.hilti.com



426347